



"Y" GLOBE VALVES - 1500 - Welded bonnet - Sw/Npt/Bw

Ratings (ASTM A105)

1500 p.s.i. @ 850°F
3705 p.s.i. @ 100°F

Test pressure (ASTM A105)

Hydraulic: (minimum)

Body - 5575 p.s.i.
Seat - 4100 p.s.i.

Air under water:

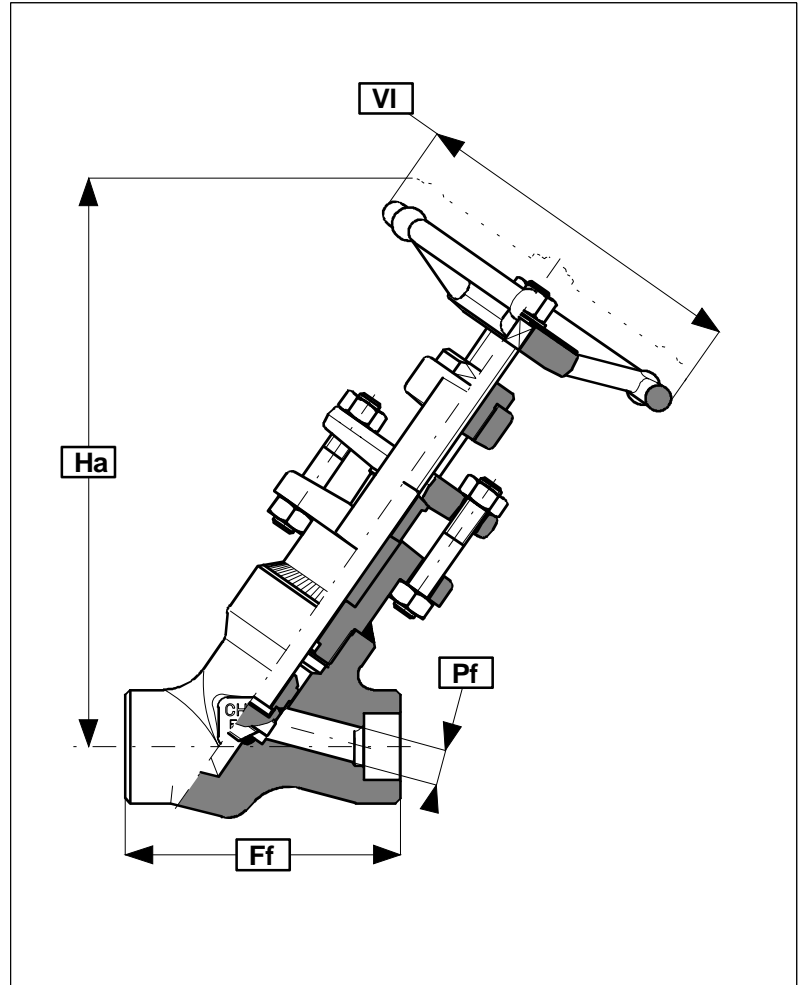
Seat - 85 p.s.i.

Standards

Construction	BS 5352-ASME B16.34
Socket weld	ASME B16.11
Threaded	ASME B1.20.1
Butt weld	ASME B16.25
Test	BS 6755 (Pt.1)

Connections (xx)

SW Socket weld	B6 Butt weld 160
TH Threaded NPT	
TS Sw/NPT	
SE Sw (in)/NPT	
SU Sw (out)/NPT	
B8 Butt weld 80	



STANDARD BORE

			1/2"	3/4"	1"	1.1/4"	1.1/2"	2"
Ff (mm/in)			100 3,94	110 4,33	120 4,72	160 6,30	190 7,48	190 7,48
Ha (mm/in)			186 7,32	220 8,66	229 9,02	305 12,01	348 13,70	389 15,31
VI (mm/in)			120 3,94	175 6,89	175 6,89	200 7,87	200 7,87	260 10,24
Pf (mm/in)			12 0,47	16 0,63	20 0,79	28 1,10	32 1,26	43 1,69
Wt. (kg/lb)			3,0 6,6	4,0 8,8	7,0 15,4	10,5 23,1	15,0 33,0	19,0 41,0
Catal. no.			Y752WB/xx	Y753WB/xx	Y754WB/xx	Y755WB/xx	Y756WB/xx	Y757WB/xx

1) Standard and alternative valve materials on page 67, type A
2) Complete Pressure-Temperature ratings on page 68, 69, 70, 71,72
3) SW, NPT & BW dimensions on page 73